



N40 N°99

MMSI

P
POCHON
S.A.



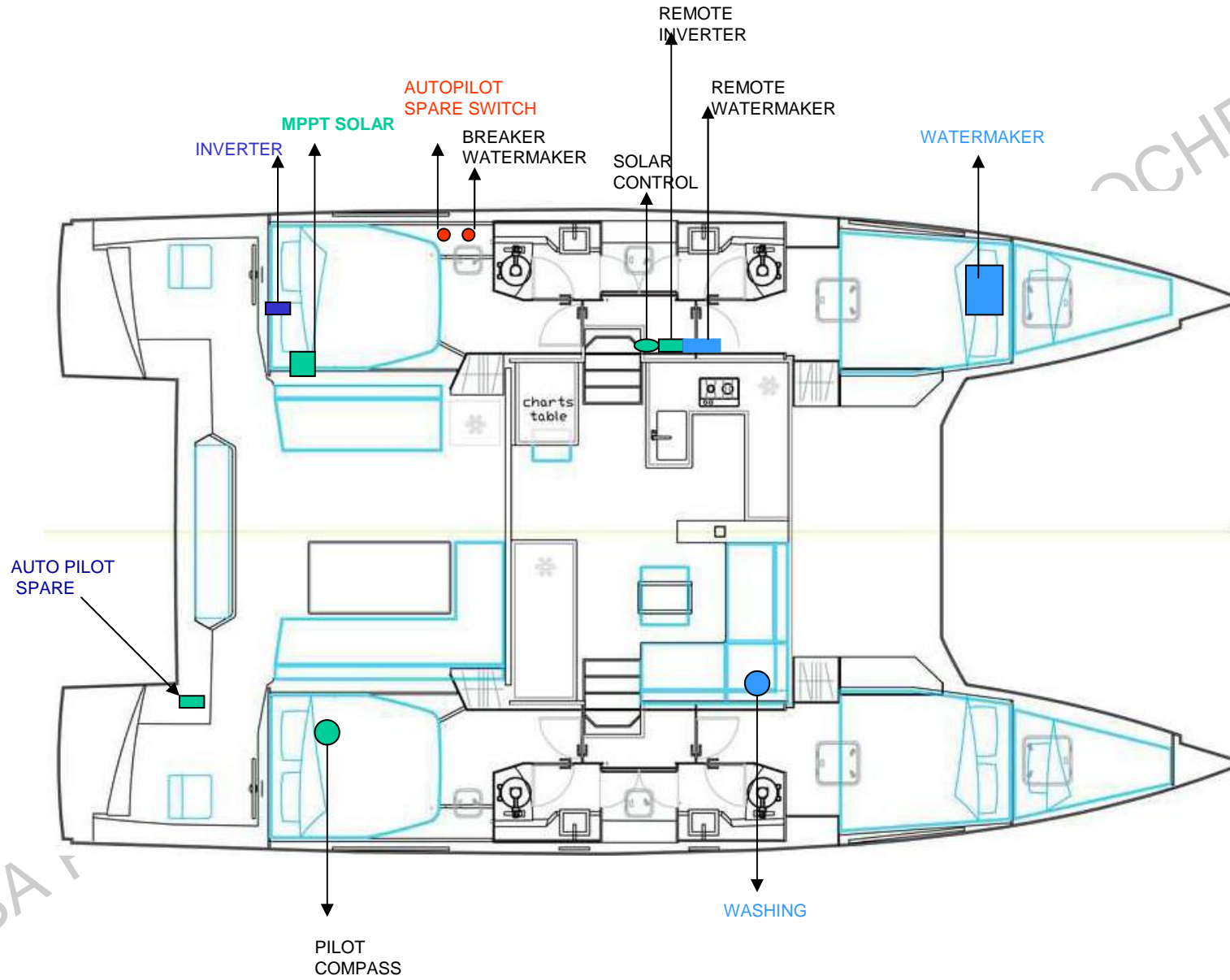
2017

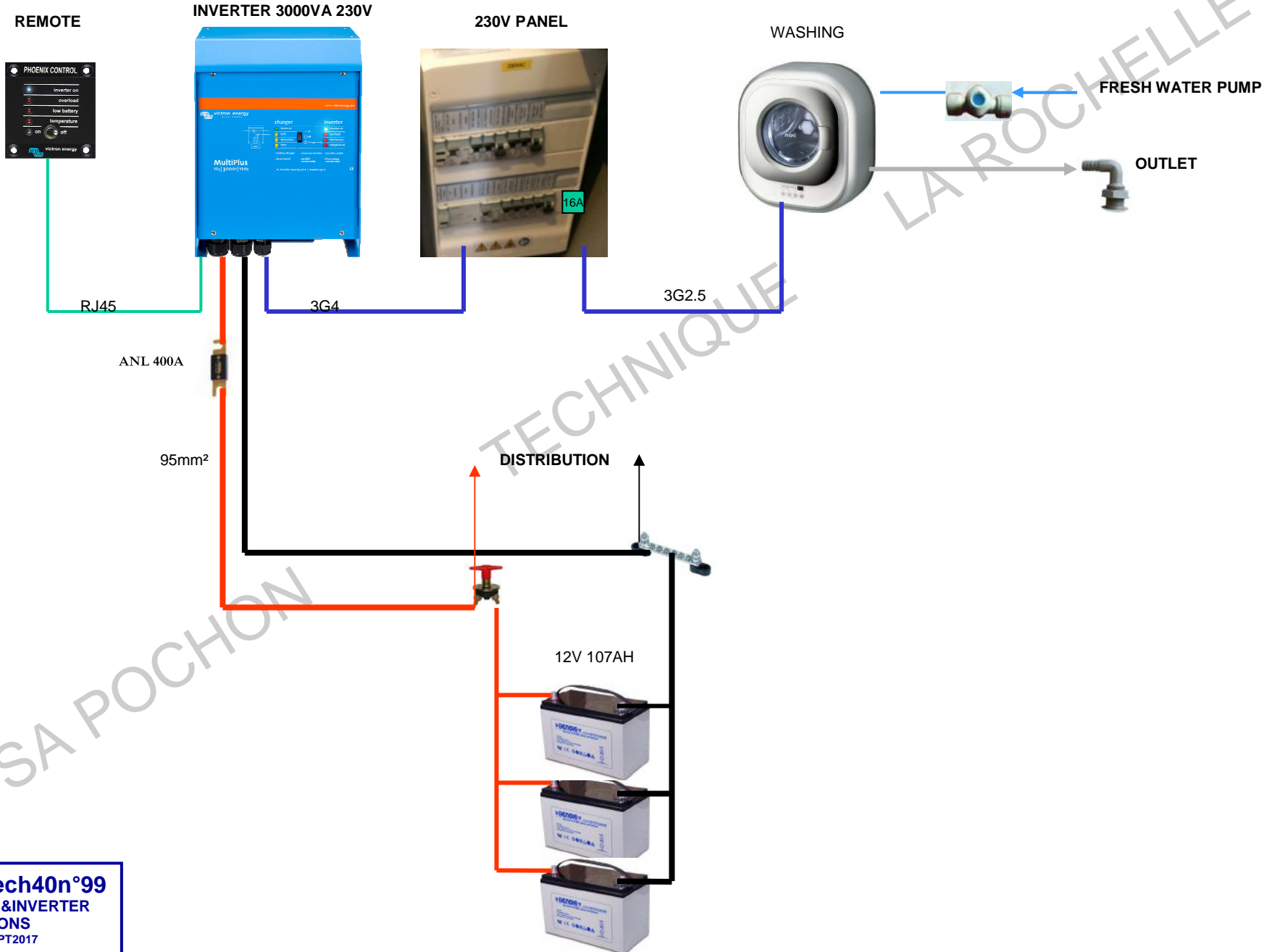
un monde
d'électronique & d'électricité

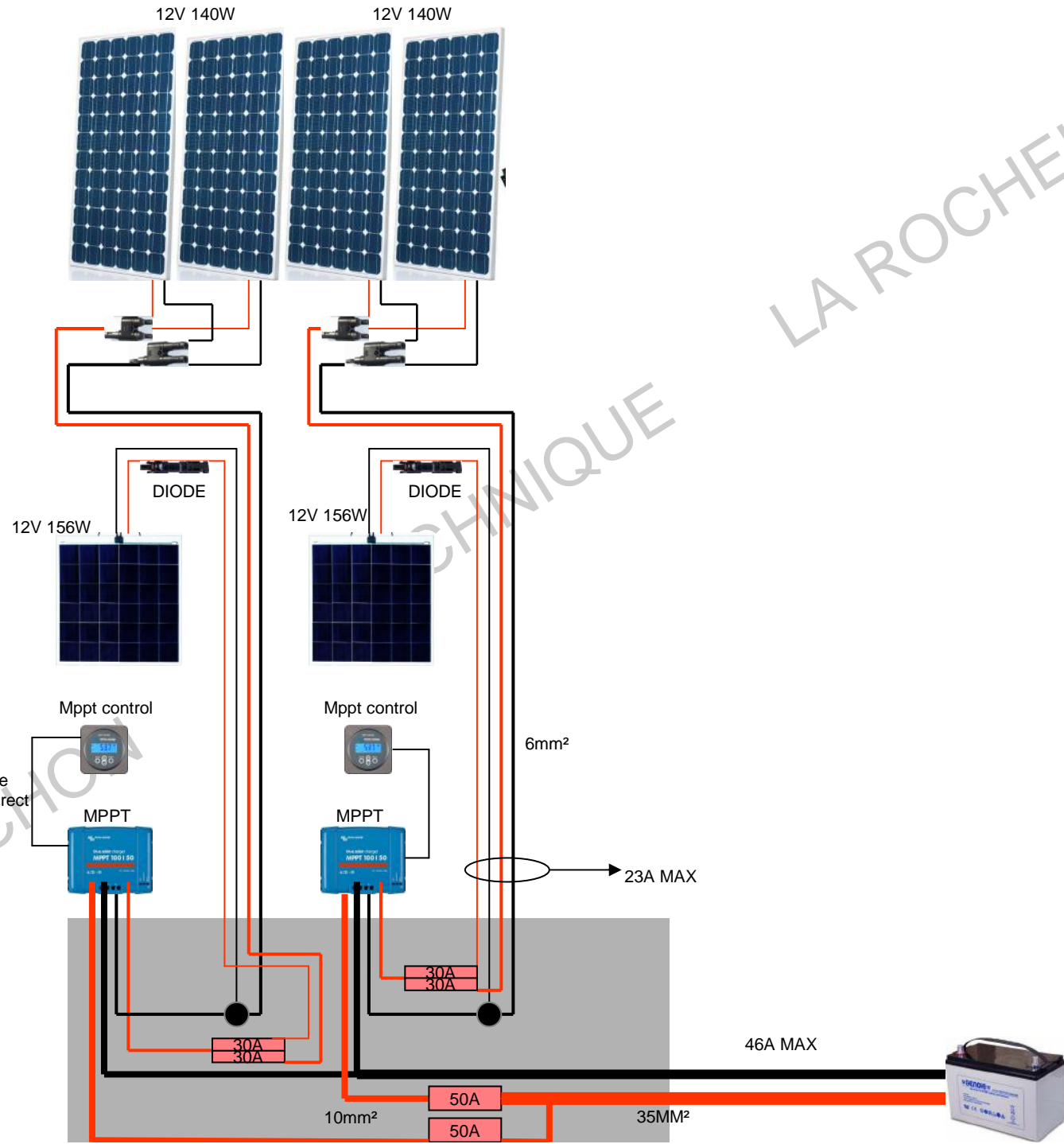
www.pochon.com
technique@pochon.com







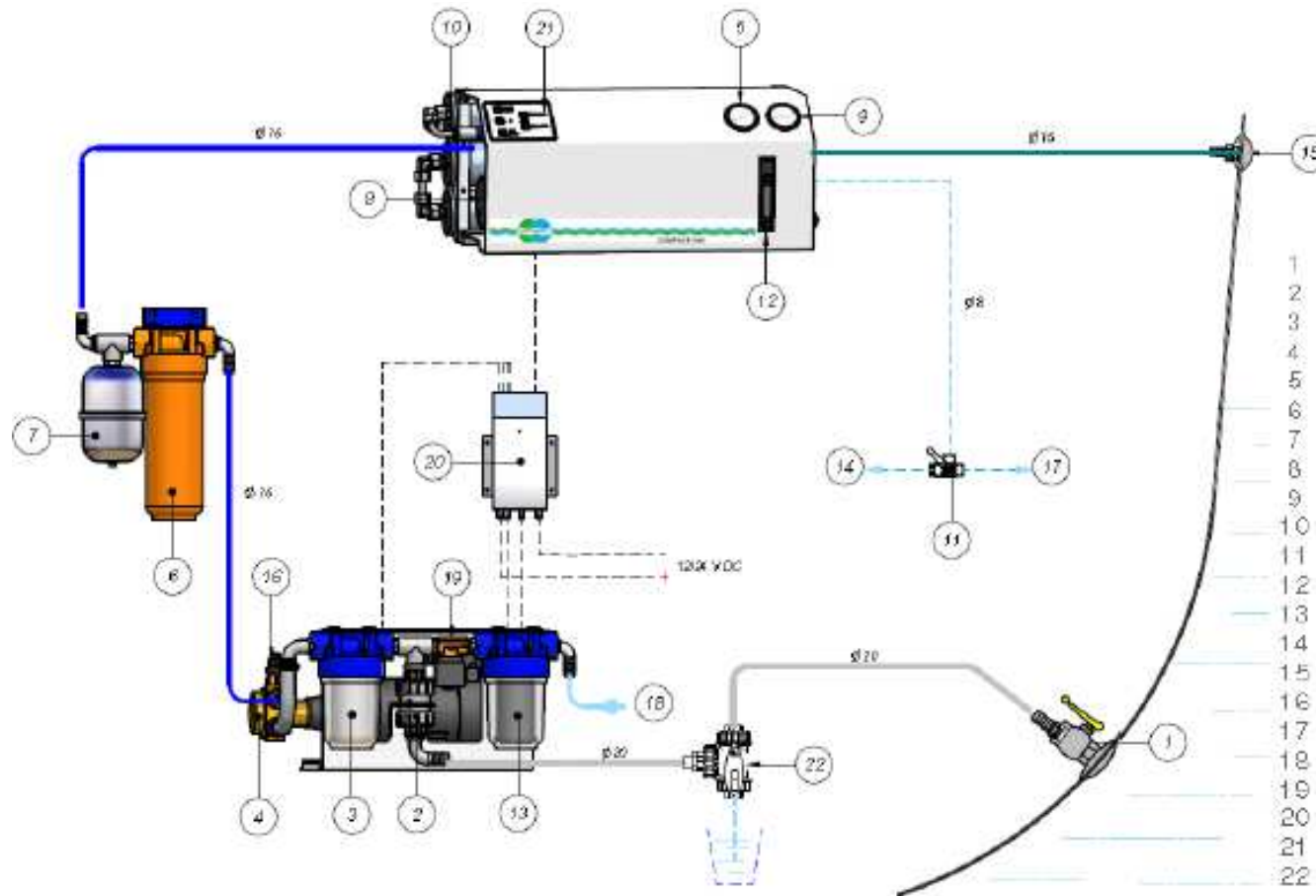




LA ROCHELLE

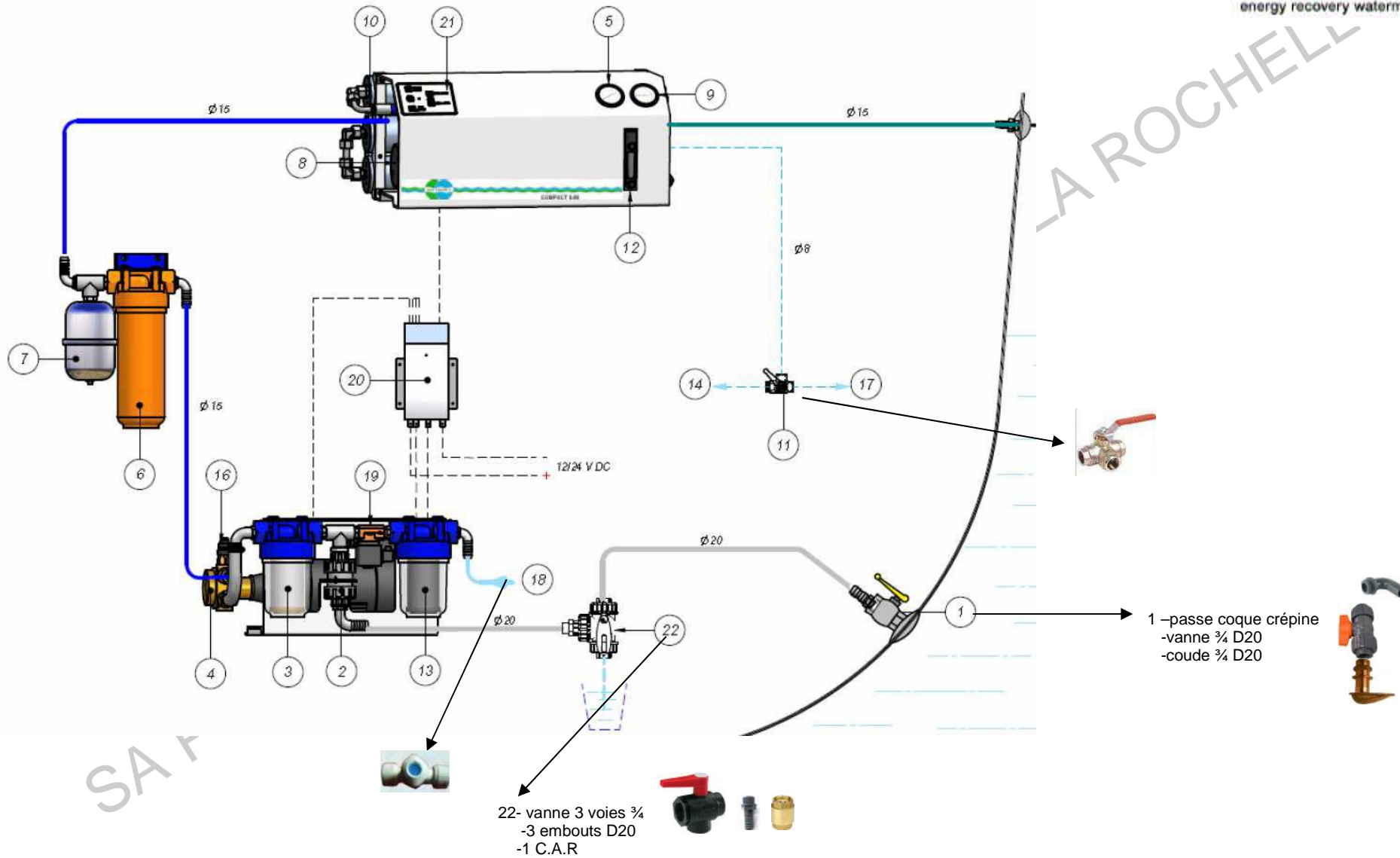
SA POCHE

Nautitech40n°99
SOLAR PANELS
CONNEXIONS
 ST/LR/PN/SEPT2017

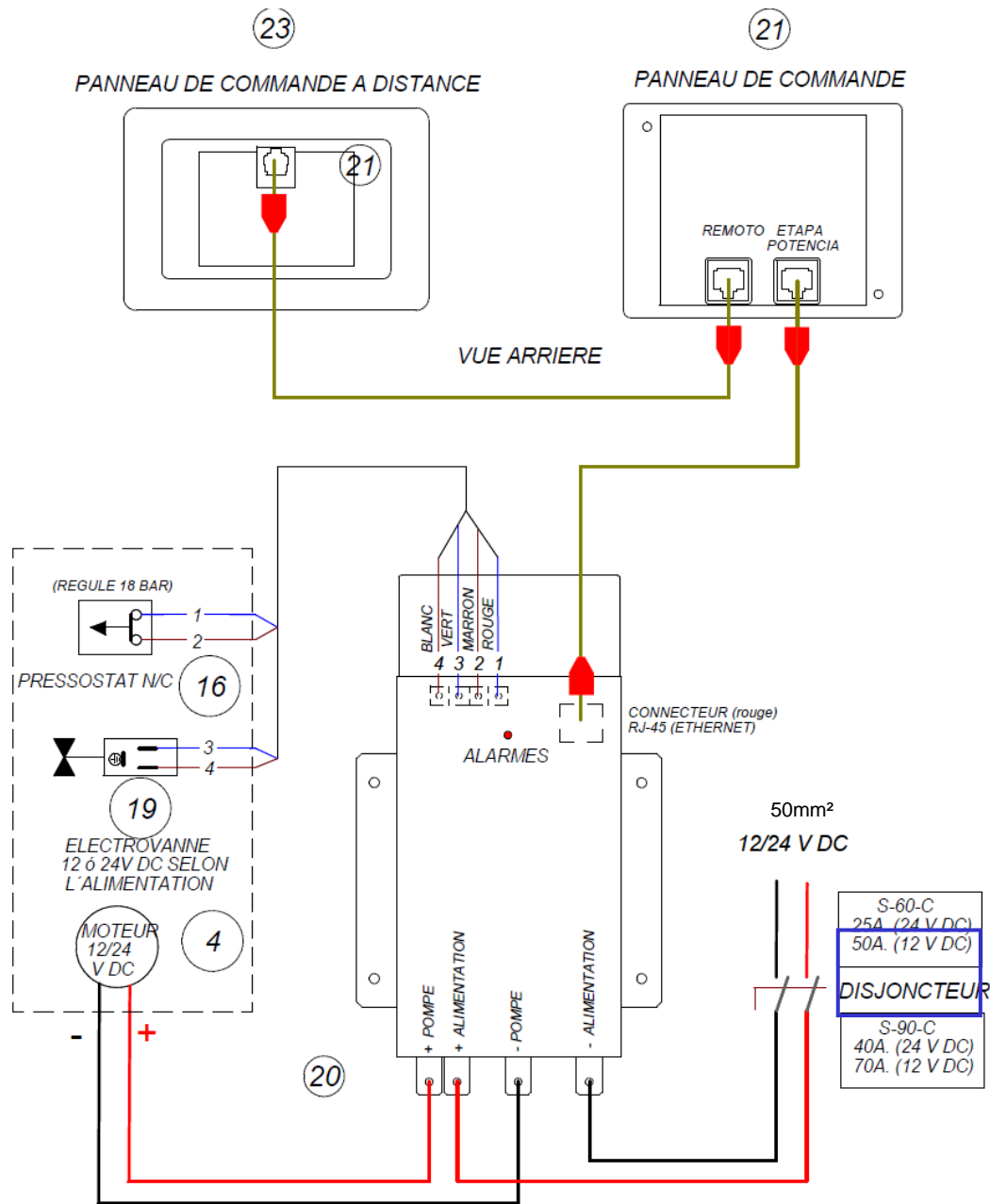


- 1 Seacock Valve
- 2 Check valve
- 3 Sea Strainer (Mesh filter)
- 4 Low Pressure Pump, 12/24 V DC Motor
- 5 Low Pressure Gauge.
- 6 5 Micron Filter.
- 7 Expansion Vessel
- 8 Hydraulic High Pressure Pump ST-80-PRO.
- 9 High Pressure Gauge.
- 10 Containers and R.O. membranes.
- 11 Produced Fresh Water Three Way Valve.
- 12 Produced Fresh Water Flowmeter.
- 13 Fresh Water Flush Carbon Filter (Anti Cl)
- 14 To the Main Tank.
- 15 Brine Discharge thru-hull
- 16 Pressure switch/security valve
- 17 Direct produced water output. (Control)
- 18 Boat pressurized fresh water input
- 19 Fresh water flush electro-valve
- 20 DC Power Unit
- 21 DIGITAL control panel
- 22 [OPTIONAL] Threeway valve for wintering.

SA PO



Nautitech40 n°99
WATERMAKER
PIECES
 ST/LR/PN/SEPT2017



MOCHELLE

SA POC

Control panels



Watermaker 12v 60l/h

Production valve

Seacock valve

Inlet valve
Bucket or sea

5microns Filter



Seawater filter

seawater outlet

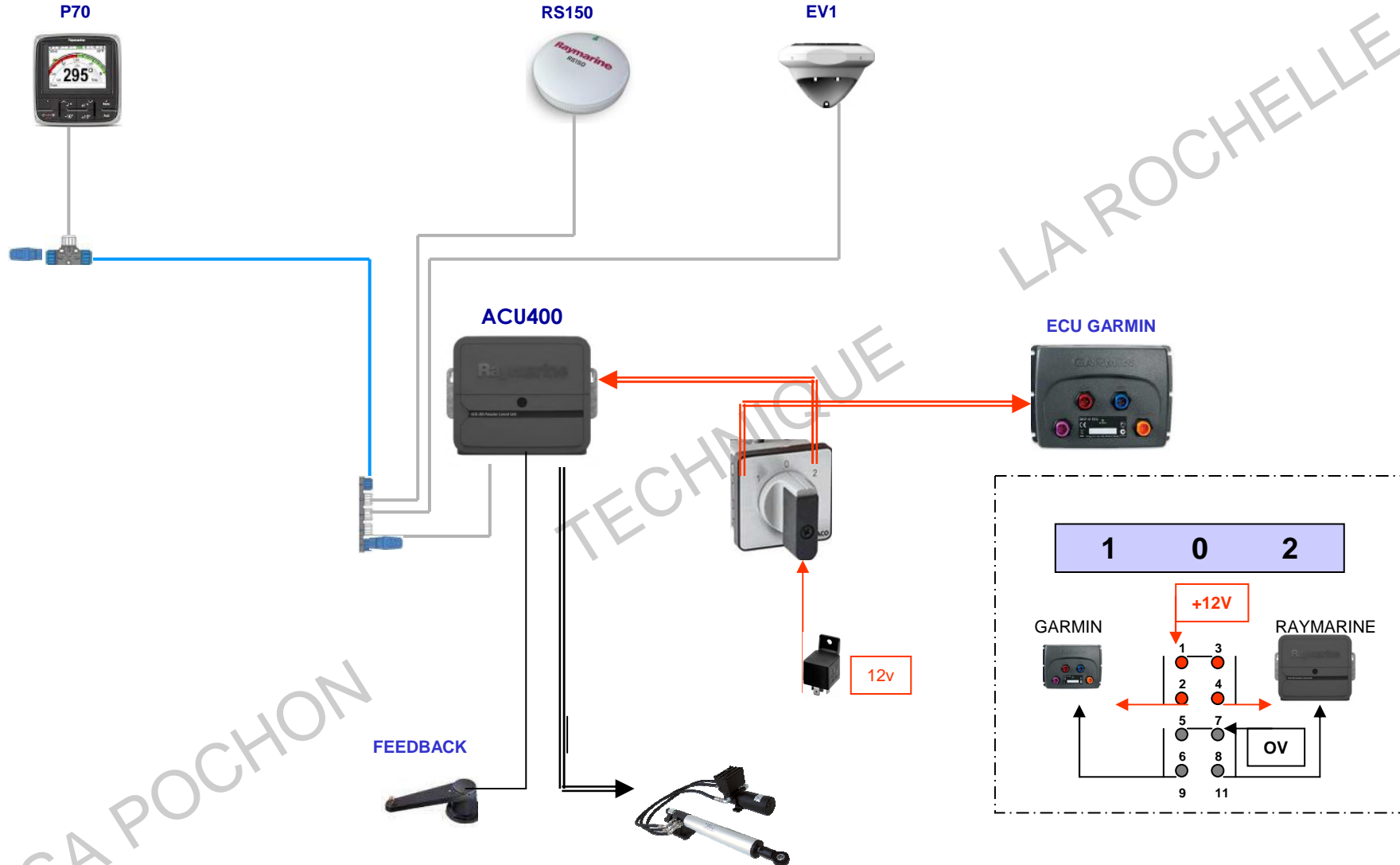


Carbon filter

Electronics box



Nautitech40 n°99
WATERMAKER
ST/LR/PN/SEPT2017



LA ROCHELLE

TECHNIQUE

SA Pochon

Nautitech40 n°99
SPARE AUTO PILOT
ELECTRICS CONNECTIONS
ST/LR/PN/SEPT2017

